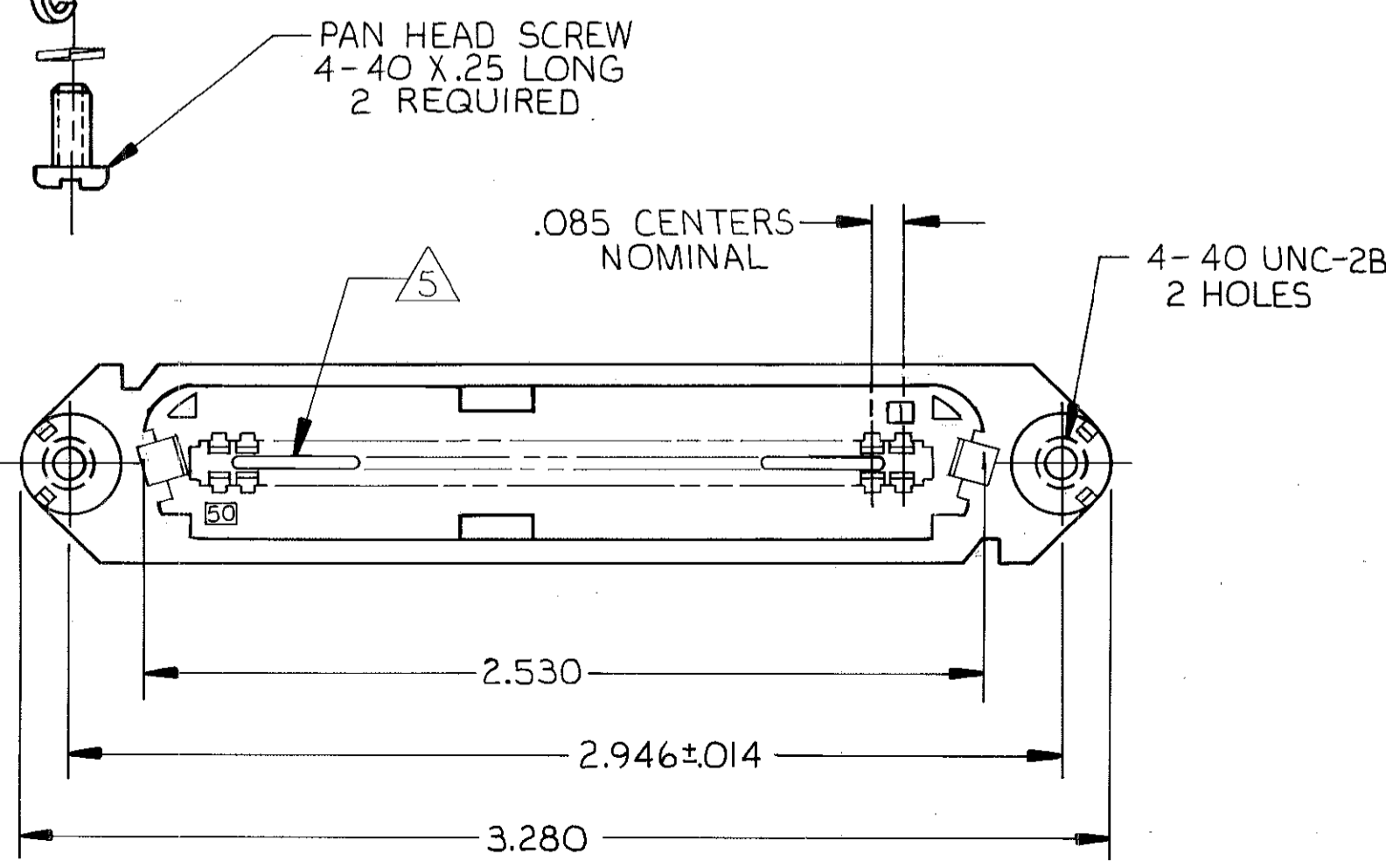
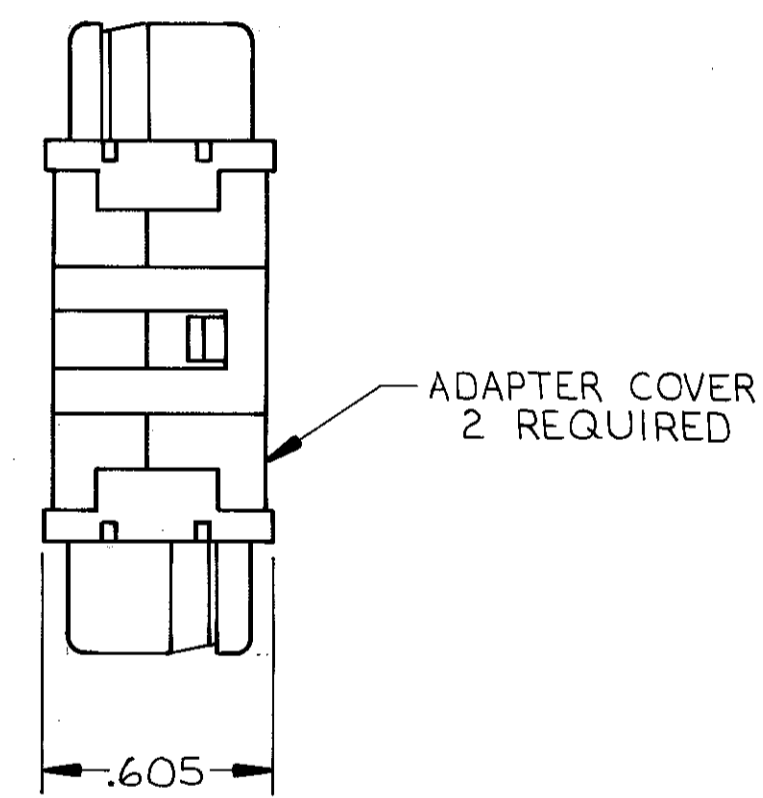
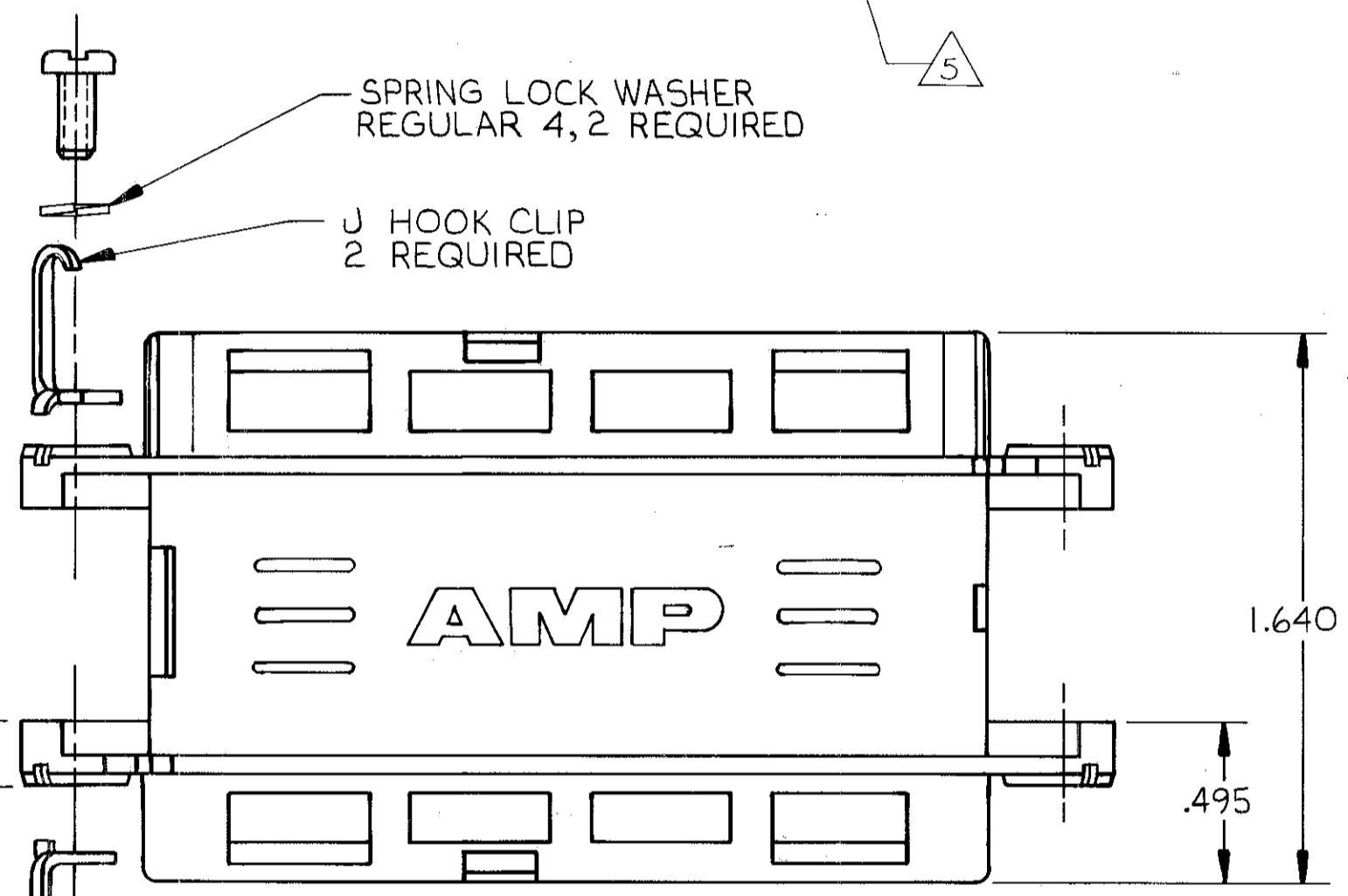
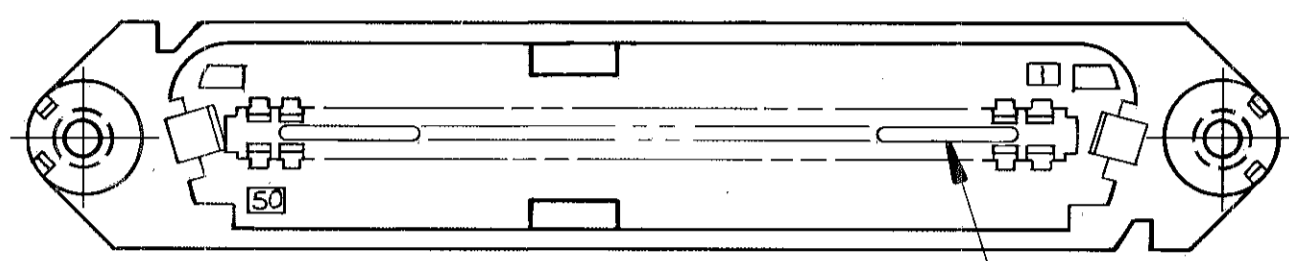


THIS DRAWING IS UNPUBLISHED. RELEASED FOR PUBLICATION
 © COPYRIGHT 19 BY AMP INCORPORATED, HARRISBURG, PA. ALL INTERNATIONAL RIGHTS RESERVED. AMP PRODUCTS MAY BE COVERED BY U.S. AND FOREIGN PATENTS AND/OR PATENTS PENDING.

REVISIONS						
P	F	ZONE	LTR	DESCRIPTION	DATE	APPROVED
				G REV; EC OUIC-0040-01	3-19-01	DD EB

1. LIKE NUMBERED CONTACTS ON BOTH CONNECTORS ARE ELECTRICALLY COMMON.
2. THE CONTACT SURFACES OF THE TERMINALS ARE COATED WITH LUBRICANT.
3. MATERIAL: HOUSINGS & COVERS-POLYPHENYLENE, BLACK.
TERMINALS-GOLD OVER NICKEL PLATED HIGH STRENGTH COPPER ALLOY.
HARDWARE-ZINC PLATED STEEL.
4. ALL DIMENSIONS ARE MAXIMUM UNLESS OTHERWISE SPECIFIED.
5. CORING MAY OR MAY NOT APPEAR AND IS AT THE DISCRETION OF AMP INCORPORATED.



PACKAGING	DESCRIPTION	PART NO
ONE KIT PER POLY BAG	WITHOUT J HOOK & HARDWARE	554875-2
	WITH J HOOK & HARDWARE	554875-1

UNLESS OTHERWISE SPECIFIED DIMENSIONS ARE IN INCHES. TOLERANCES ON: DECIMALS ± ANGLES ±	CONTRACT NO	AMP AMP INCORPORATED Harrisburg, Pa. 17105	
	DR <i>M. D. Byerly</i> 9/26/85		
MATERIAL	CHK <i>B. Coarty</i> 9/27/85	NAME RECEPTACLE KIT, GENDER MENDER, 50 POSITION, W/J HOOK HARDWARE, CHAMP-LOK	
	APPD <i>B. Hutchens</i> 10/1/85	SIZE C	FSCM NO 00779
FINISH	APPD <i>B. K. Hartwick</i> 10/1/85	DRAWING NO 554875	
	DSGN APPD	SCALE 2:1	SHEET 1 OF 1
	OTHER APPD		

WAS 1210-85-28-1

554875